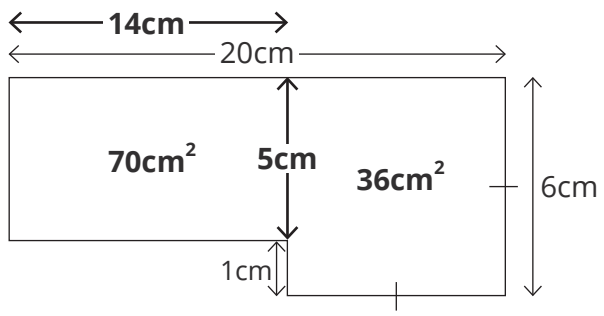
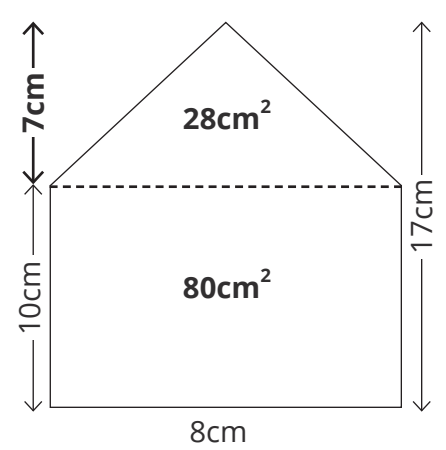
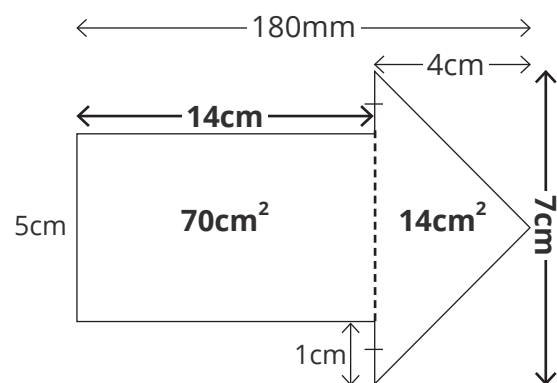
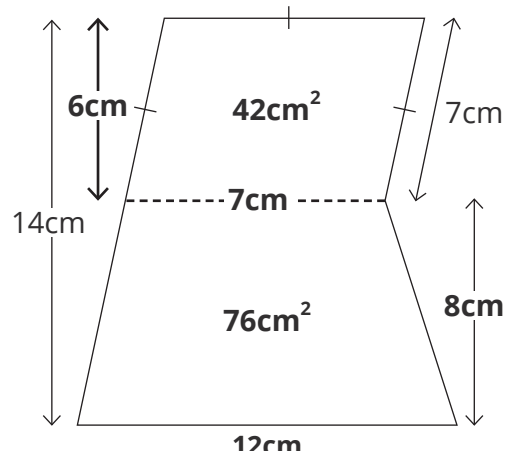


Area of Composite Shapes – Ordering Shapes

Answers

Calculate the total area of each composite shape

<p>Shape A</p>  <p style="text-align: center;">$70 + 36 = 106\text{cm}^2$</p>	<p>Shape B</p>  <p style="text-align: center;">$28 + 80 = 108\text{cm}^2$</p>
<p>Shape C</p>  <p style="text-align: center;">$70 + 14 = 84\text{cm}^2$</p>	<p>Shape D</p>  <p style="text-align: center;">$76 + 42 = 118\text{cm}^2$</p>

List the shapes in ascending order according to their total area.

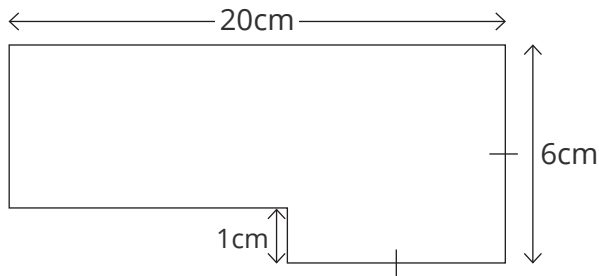
A = 106cm^2 , B = 108cm^2 , C = 84cm^2 , D = 118cm^2

C, A, B and D

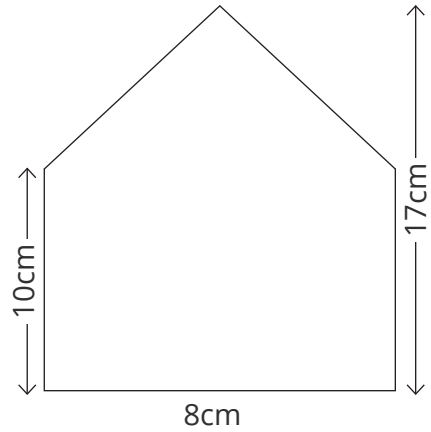
Area of Composite Shapes – Ordering Shapes

Calculate the total area of each composite shape

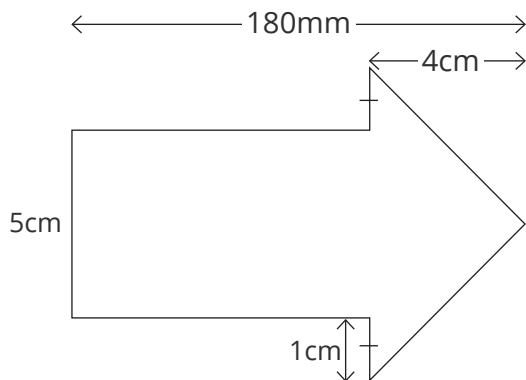
Shape A



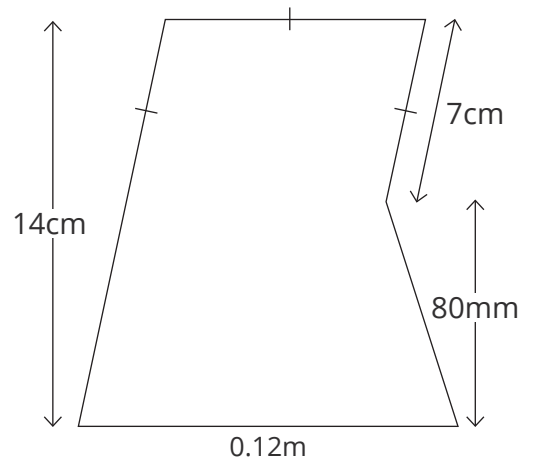
Shape B



Shape C



Shape D



List the shapes in ascending order according to their total area.
